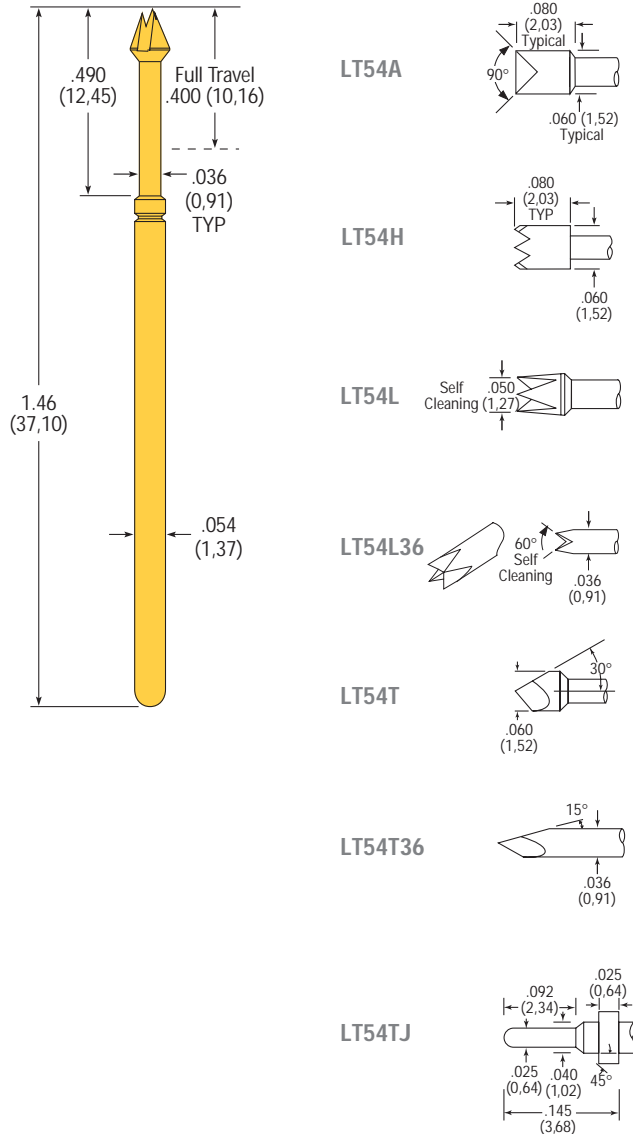


# LT54

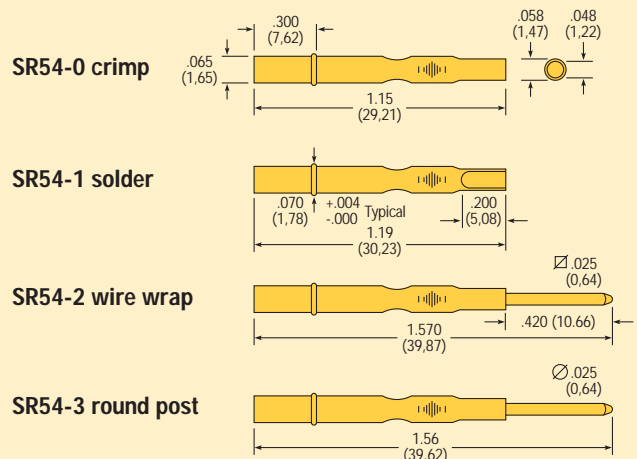
## Long Travel Test Probes for Bare, Loaded and Dual Level PCB Testing



### SPECIFICATIONS

PROBE SERIES	LT54	LT54TJ
Test Centers	.100 (2,54)	.100 (2,54)
Mechanical		
Max. Plunger Travel	.400 (10,16)	.345 (8,76)
Recom. Working Travel	.315 (8,0)	.315 (8,00)
Mechanical Life (cycles)	>100,000	>100,000
SPRING FORCE IN OZ. (GRAMS)		
Spring Type	Preload	.315 Travel
Standard	-4	1.24 (35)
Alternate	-6	1.73 (49)
High	-8	2.15 (61)
Materials & Finishes		
Plunger	Hardened Beryllium Copper, Gold plated over Nickel plate	Hardened Beryllium Copper, Gold plated over Nickel plate
Barrel	Work hardened Phosphor Bronze, Gold plated (I.D. & O.D.) over Nickel plate	Work hardened Phosphor Bronze, Gold plated (I.D. & O.D.) over Nickel plate
Spring	Music Wire, Silver plated	Music Wire, Stainless steel
Operating Range (typical)	-55°C to + 105°C	-55°C to + 105°C
Electrical		
Current Rating (static conditions)	10 amps	10 amps
Avg. Resistance (mOHMS)	8	8

RECEPTACLE SERIES	SR54 (Uses Insertion Tool #ARIT54)	SR54 (Uses Insertion Tool #ARIT54)
Mounting Hole Size	.067/.069 (1,70/1,75)	.067/.069 (1,70/1,75)
Suggested Drill Size	1,75 mm	1,75 mm
Suggested Wire Gauge	22-26 AWG	22-26 AWG
Materials & Finishes	Work hardened Nickel Silver, Gold plated over Nickel plate	Work hardened Nickel Silver, Gold plated over Nickel plate
Terminations	Crimp, solder, wire wrap, round post	Crimp, solder, wire wrap, round post



**ORDERING INFORMATION:** To order, specify tip style and spring pressure. Example: LT54H is an "H" tip with a standard spring.

Specifications subject to change without notice.  
 Drawings not to scale.  
 Optional tip styles, spring pressures, and materials available, contact factory for more information.